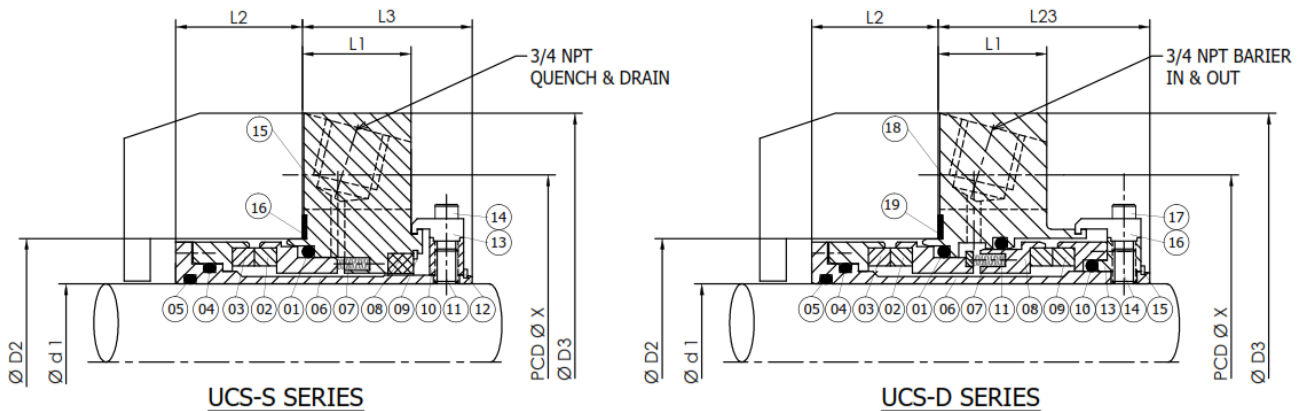


## Universal Cartridge Seal



Cartridge-S Single Cartridge Seals and Cartridge-D Double Cartridge Seals provides the user with many features. Incorporating a cost effective cartridge design, this versatile seal is available in a range of materials, making it ideal for a wide range of applications.

### Features

- Pre-assembled cartridge, Easy to install.
- Balanced internal design, Runs cooler and lasts longer.
- Fits standard ANSI pumps, No modifications.
- Rebuild kit available In-field repair.
- Attached setting clips No lost parts, Minimal distance to first obstruction Compatible with wide range Of bearing p\*otectots.
- Stationary springs, Better face/seat alignment.
- Springs are protected against contact with both pumped medium as well as quench fluid.

### Applications:

The Cartridge Seals are destined for process centrifugal pumps and other quipment with rotating shafts and handling such fluids like:

- Hydrocarbons and oils,
- Low - aggressive chemicals,
- Slurries containing solid particles,
- Liquids undergoing cristalization,
- Water (pure, dirty, sewage, waste),
- And used mostly in following industries: petrochemical and refinery, pulp & paper, sugar, chemical and in power generating plants as well as in wastewater treatment plants.

### Operating Limits:

Shaft Diameter 18...100 mm  
 Pressure p 20 bar (max)  
 Temperature t -20 ..+200°C  
 Velocity Up to 20 m/sec

### Materials:

Rotating ring: SiC, SSiC, TC  
 Stationary seat: Carbon, SiC, SSIC, TC,  
 Bellows: Nitrile, Epdm, Viton, Kalrez  
 Springs: Hastelloy C276  
 Metal Part: SS 316, Hastelloy C276

